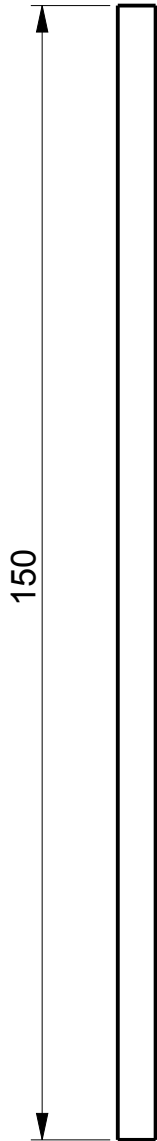
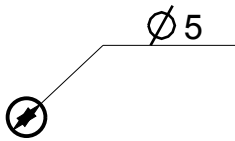


ALL DIMENSIONS IN MM		DRAWN BY OSAMA SHAKEEL 13-MS-FT-AMD-03	UNIVERSITY OF ENGG AND TECH TAXILA	
	TOLERANCES LINEAR: ANGULAR:	MATERIAL: ALUMINUM	DATE : 28-Oct-14	PART NAME: ARGON SUPPORT
	FINISH:AS MACHINED	CHECKED BY	SCALE: 0.5	
				1

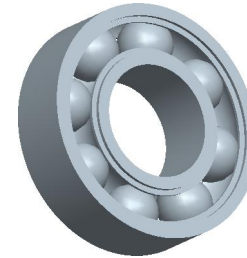
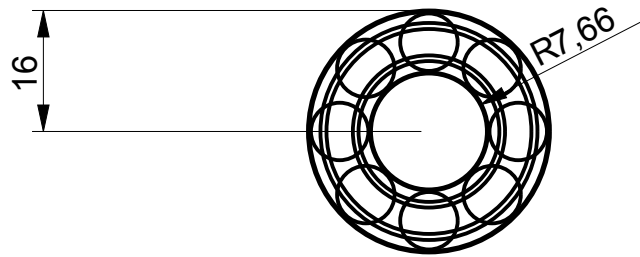


150

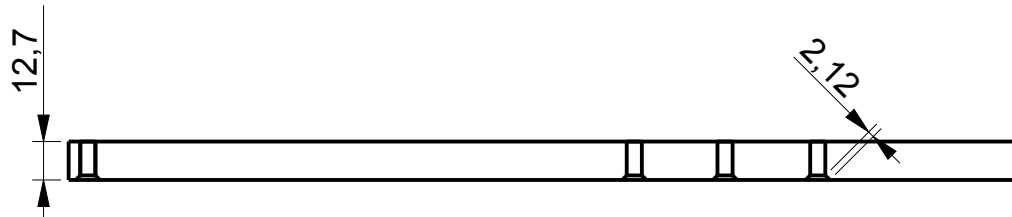
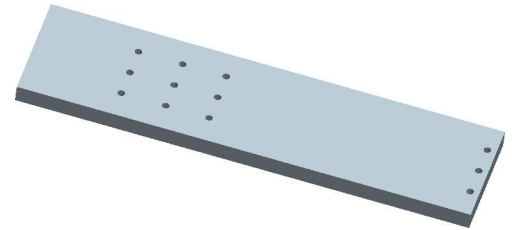
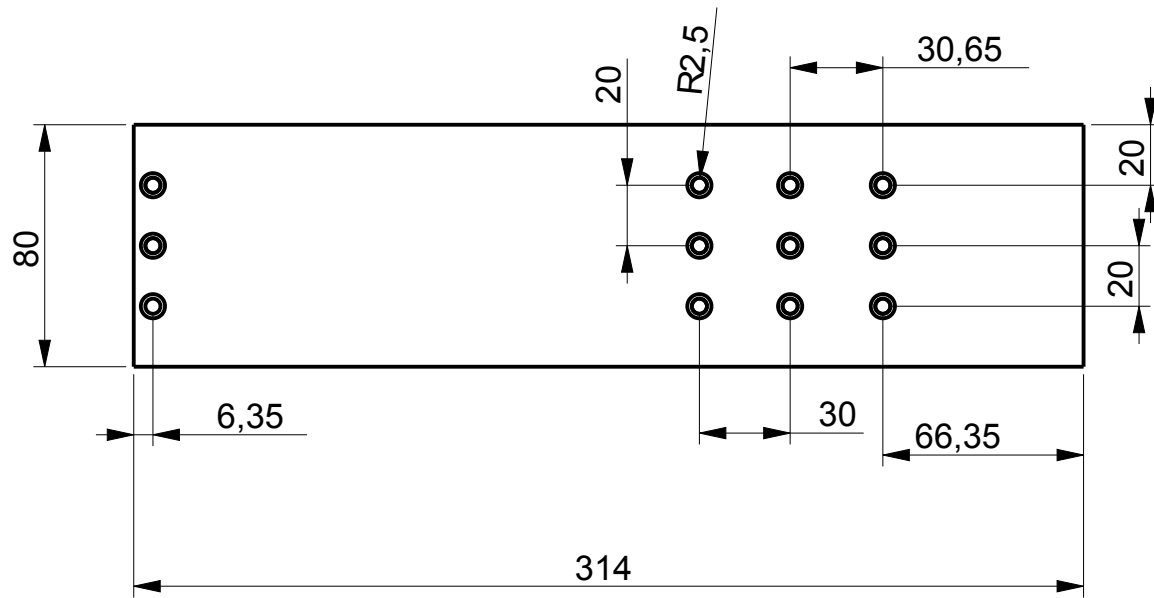


Ø5

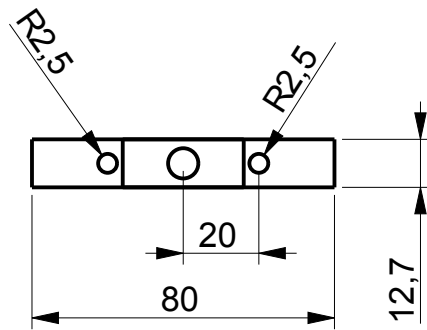
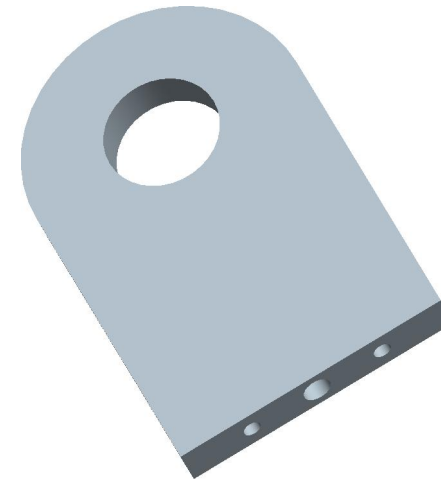
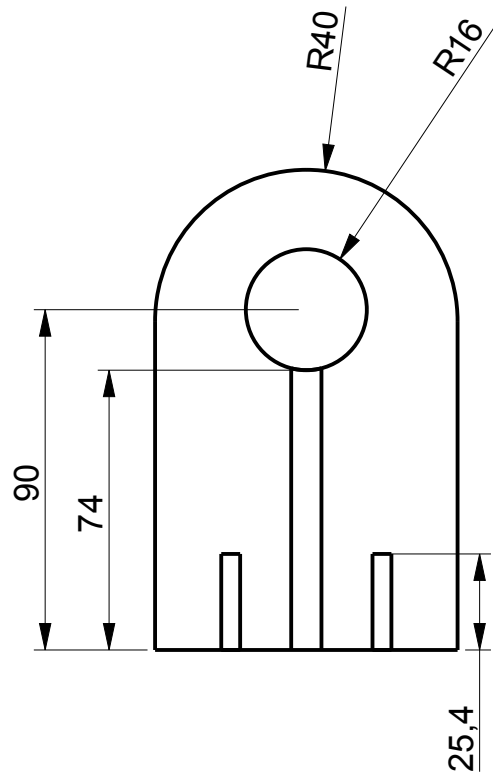
ALL DIMENSIONS IN MM		DRAWN BY OSAMA SHAKEEL 13-MS-FT-AMD-03	UNIVERSITY OF ENGG AND TECH TAXILA			
	TOLERANCES LINEAR:	MATERIAL: ALUMINUM	PART NAME: ATOMZER STAND			
	ANGULAR:	FINISH:AS MACHINED	DATE : 28-Oct-14	CHECKED BY	SCALE: 1	SHEET NO



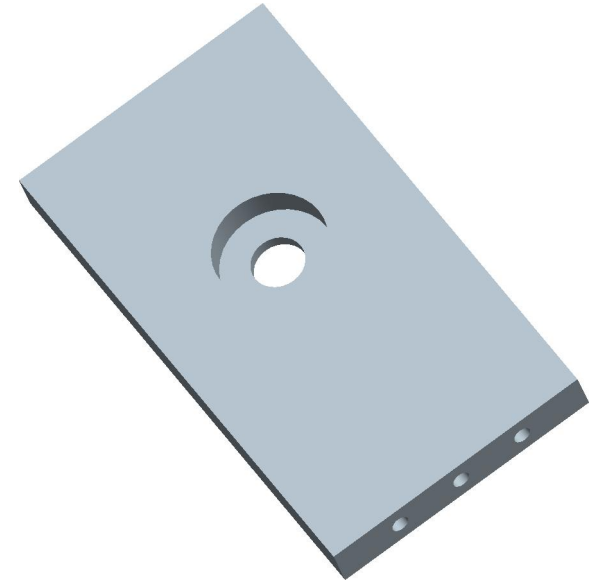
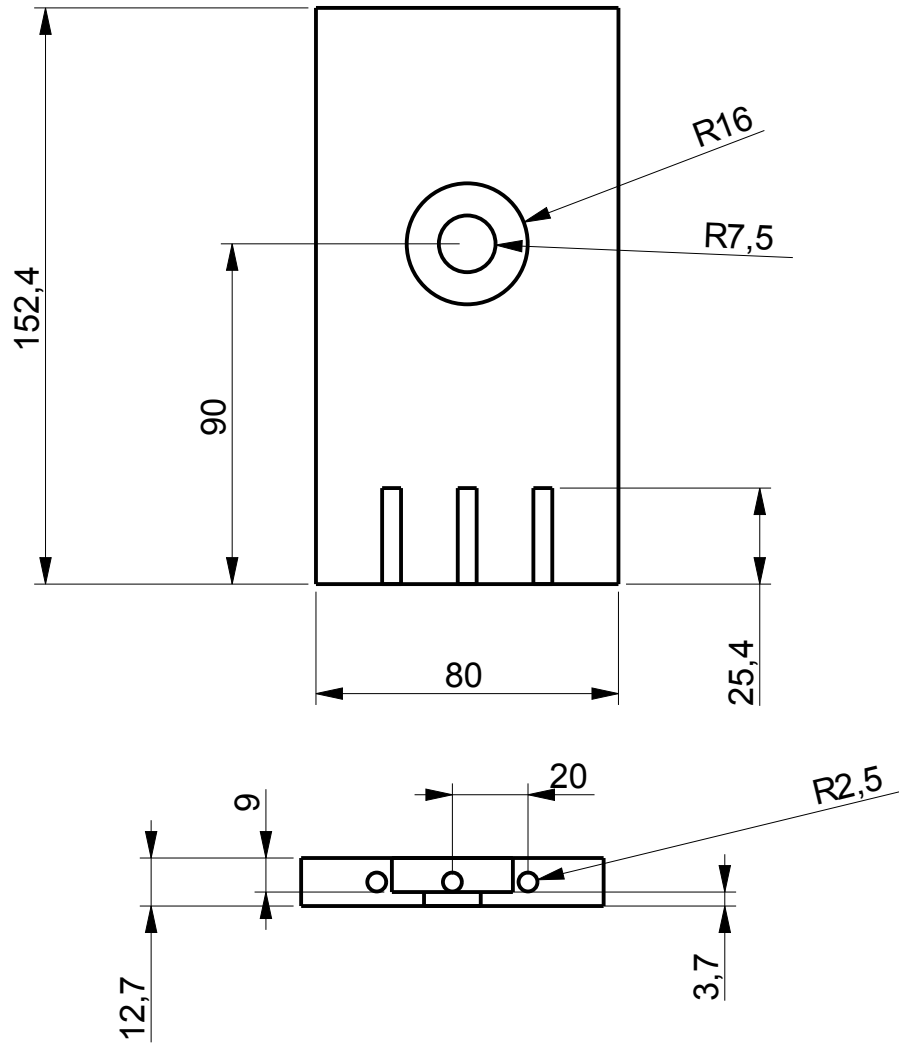
ALL DIMENSIONS IN MM		DRAWN BY OSAMA SHAKEEL 13-MS-FT-AMD-03	UNIVERSITY OF ENGG AND TECH TAXILA		
		DATE : 28-Oct-14	PART NAME: BEARING		
TOLERANCES LINEAR:	MATERIAL:	CHECKED BY	SCALE: 1	SHEET NO	3
ANGULAR:	FINISH				



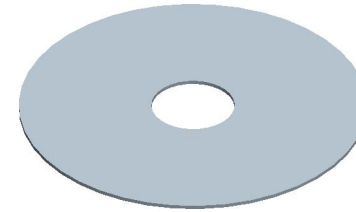
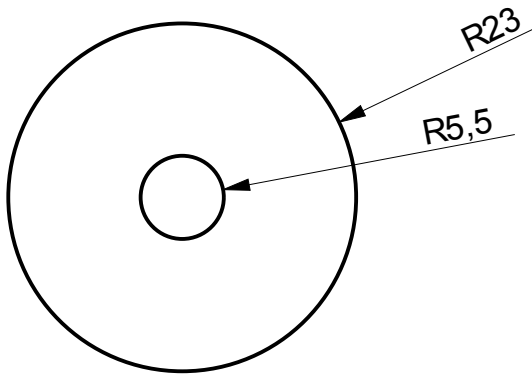
ALL DIMENSIONS IN MM		DRAWN BY OSAMA SHAKEEL 13-MS-FT-AMD-03	UNIVERSITY OF ENGG AND TECH TAXILA	
	TOLERANCES LINEAR: ANGULAR:	MATERIAL:ALUMINUM	DATE : 28-Oct-14	PART NAME: BED
	FINISH:AS MACHINED	CHECKED BY	SCALE: 0.4	SHEET NO 4



ALL DIMENSIONS IN MM		DRAWN BY OSAMA SHAKEEL 13-MS-FT-AMD-03	UNIVERSITY OF ENGG AND TECH TAXILA	
	TOLERANCES LINEAR: ANGULAR:	MATERIAL:ALUMINUM	DATE : 28-Oct-14	PART NAME: BUSH PLATE
	FINISH:AS MACHINED		SCALE: 0.5	SHEET NO 5



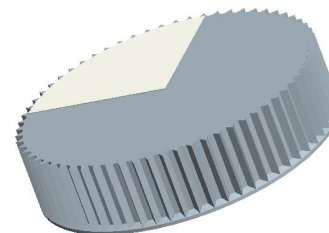
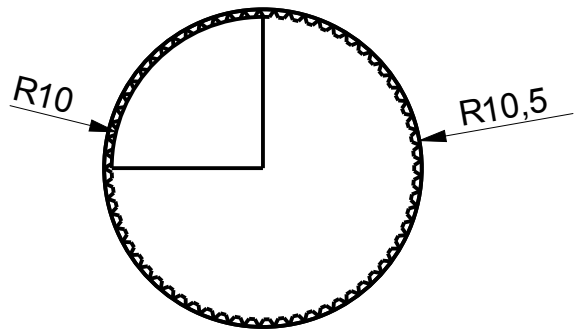
ALL DIMENSIONS IN MM		DRAWN BY OSAMA SHAKEEL 13-MS-FT-AMD-03	UNIVERSITY OF ENGG AND TECH TAXILA	
	TOLERANCES LINEAR: ANGULAR:	MATERIAL:ALUMINUM FINISH:AS MACHINED	DATE : 28-Oct-14 CHECKED BY	PART NAME: CENTRAL PLATE
			SCALE: 0.5	SHEET NO 6



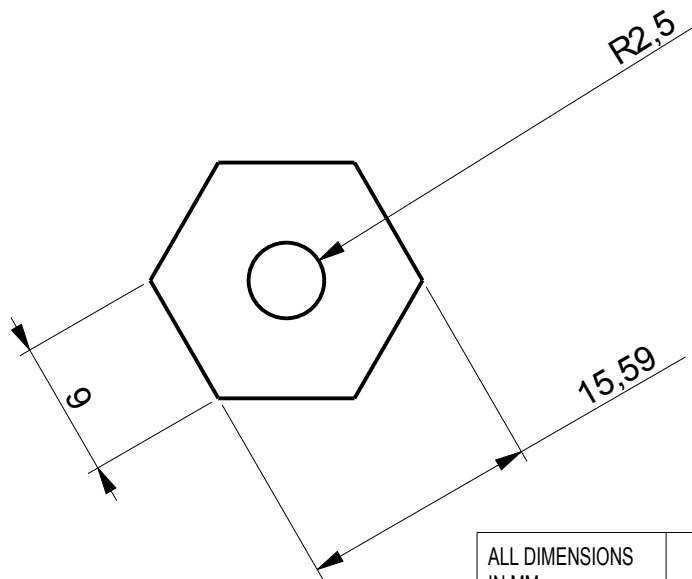
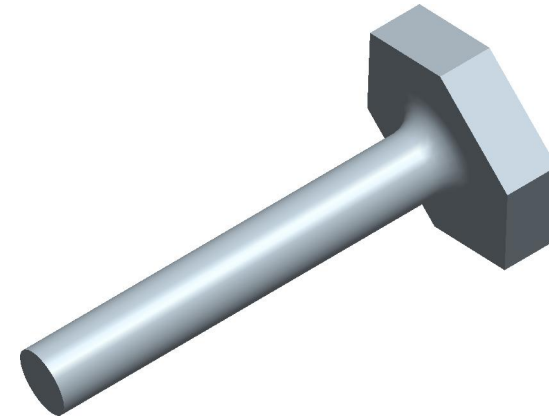
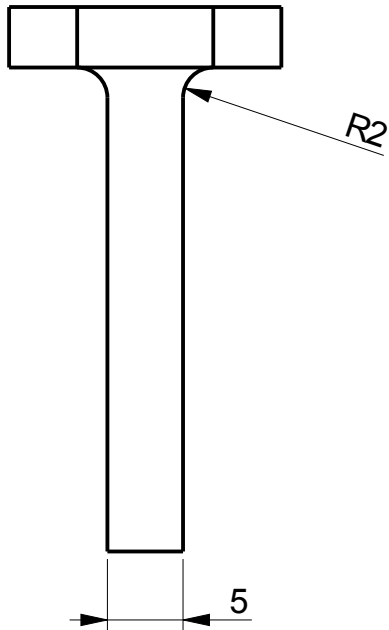
ALL DIMENSIONS IN MM		DRAWN BY OSAMA SHAKEEL 13-MS-FT-AMD-03	UNIVERSITY OF ENGG AND TECH TAXILA		
	TOLERANCES LINEAR: ANGULAR:	MATERIAL:ALUMINUM FINISH:AS MACHINED	DATE : 28-Oct-14 CHECKED BY	PART NAME: DISC	
			SCALE: 1	SHEET NO	7



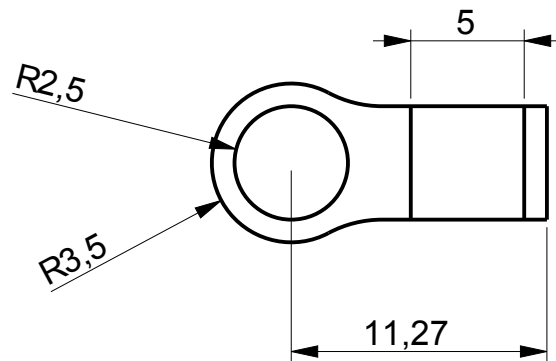
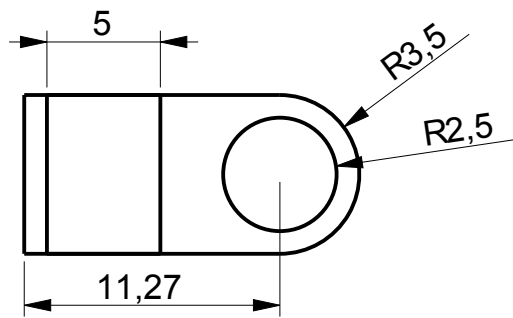




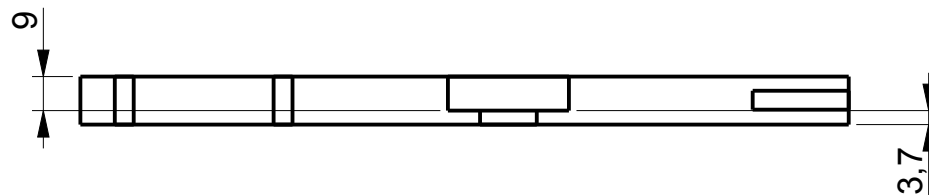
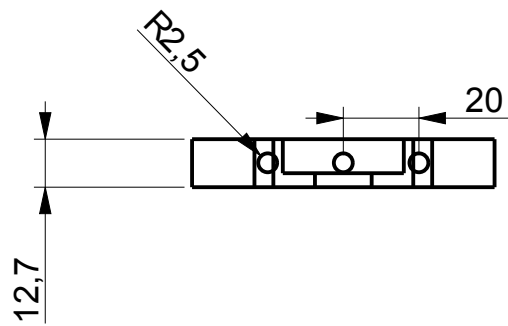
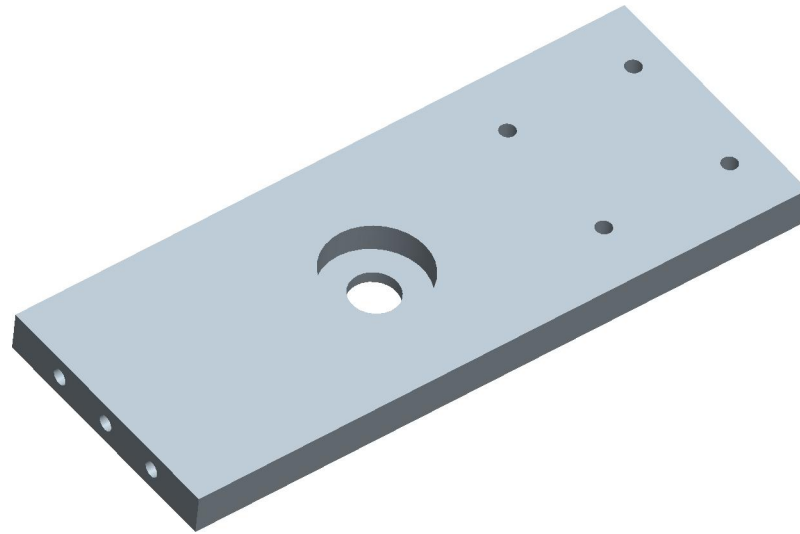
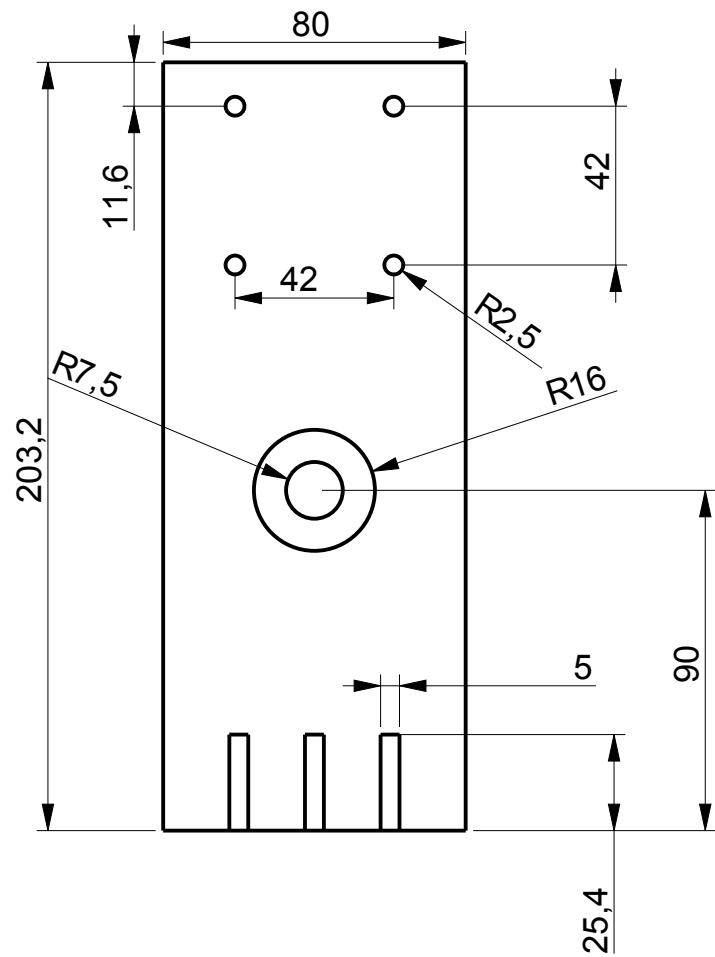
ALL DIMENSIONS IN MM		DRAWN BY OSAMA SHAKEEL 13-MS-FT-AMD-03	UNIVERSITY OF ENGG AND TECH TAXILA	
	TOLERANCES LINEAR: ANGULAR:	MATERIAL:	DATE : 28-Oct-14	PART NAME: DRIVEN PULLEY
	FINISH:AS MACHINED	CHECKED BY	SCALE: 2	
				9



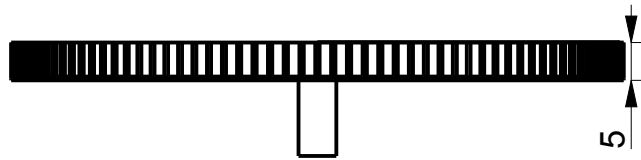
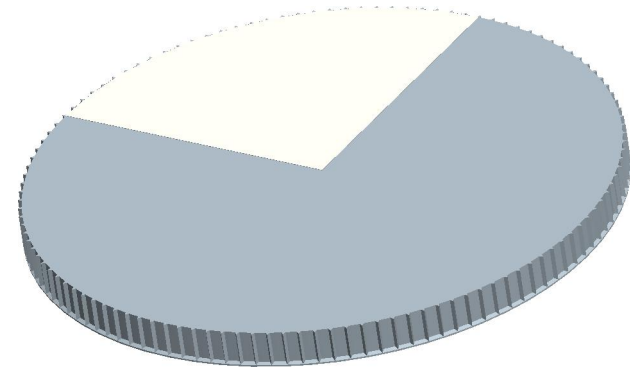
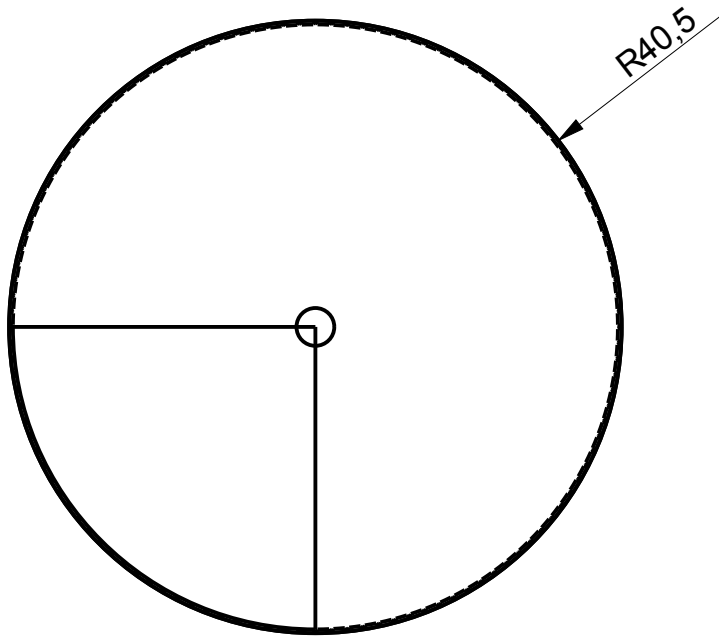
ALL DIMENSIONS IN MM		DRAWN BY OSAMA SHAKEEL 13-MS-FT-AMD-03	UNIVERSITY OF ENGG AND TECH TAXILA	
	TOLERANCES LINEAR: ANGULAR:	MATERIAL:ALUMINUM FINISH:AS MACHINED	DATE : 28-Oct-14 CHECKED BY	PART NAME: GRIPPER BOLT
			SCALE: 2	SHEET NO 10



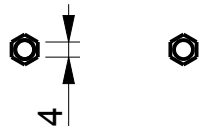
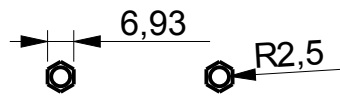
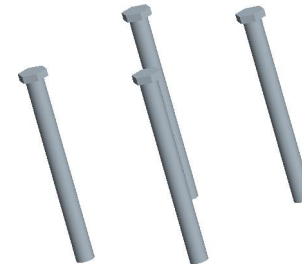
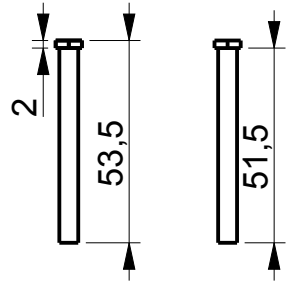
ALL DIMENSIONS IN MM		DRAWN BY OSAMA SHAKEEL 13-MS-FT-AMD-03	UNIVERSITY OF ENGG AND TECH TAXILA	
		DATE : 28-Oct-14	PART NAME: ATOMIZER STAND HOLDER	
TOLERANCES		CHECKED BY		
LINEAR:	MATERIAL:ALUMINUM			
ANGULAR:	FINISH:AS MACHINED		SCALE: 3	SHEET NO 11



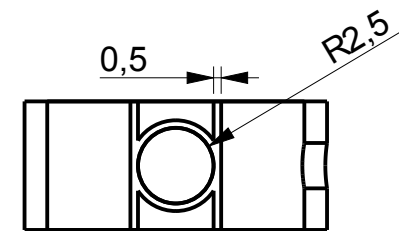
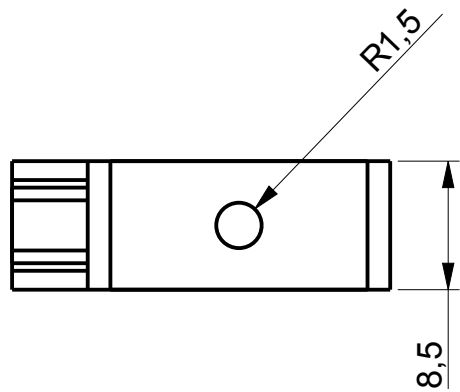
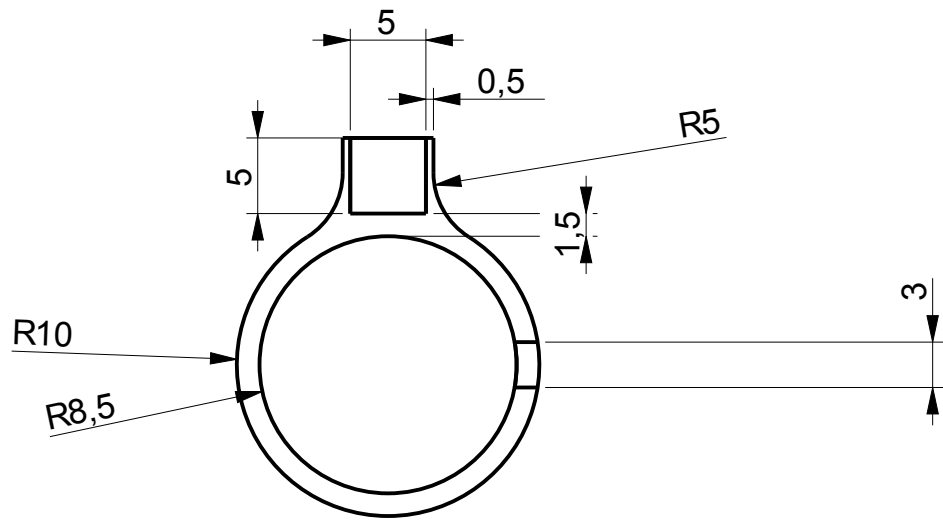
ALL DIMENSIONS IN MM		DRAWN BY OSAMA SHAKEEL 13-MS-FT-AMD-03	UNIVERSITY OF ENGG AND TECH TAXILA	
	TOLERANCES LINEAR: ANGULAR:	MATERIAL:ALUMINUM FINISH:AS MACHINED	DATE : 28-Oct-14 CHECKED BY	PART NAME: LEFT WALL BED
			SCALE: 0.5	SHEET NO 12



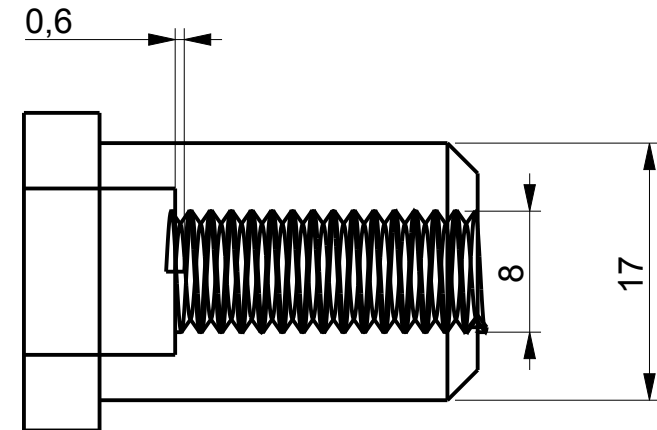
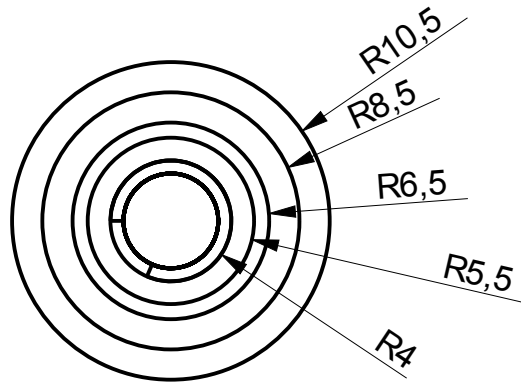
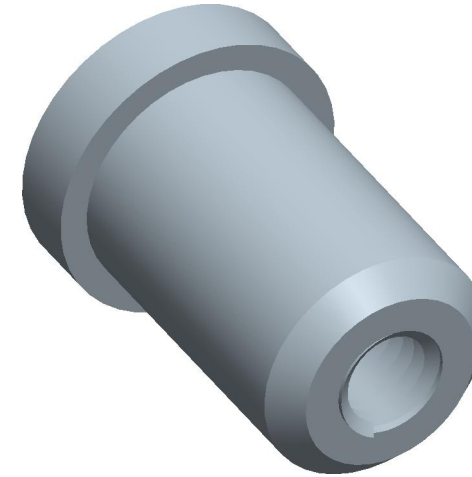
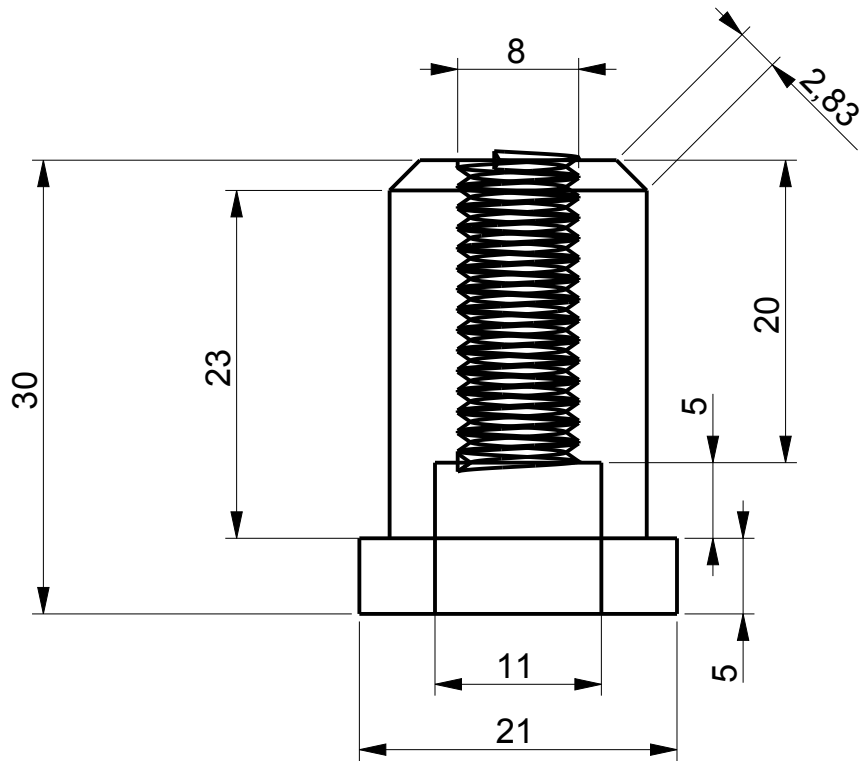
ALL DIMENSIONS IN MM		DRAWN BY OSAMA SHAKEEL 13-MS-FT-AMD-03	UNIVERSITY OF ENGG AND TECH TAXILA		
		DATE : 28-Oct-14	PART NAME: MOTOR PULLEY		
TOLERANCES		CHECKED BY			
LINEAR:	MATERIAL:ALUMINUM				
ANGULAR:	FINISH:AS MACHINED		SCALE: 1	SHEET NO	13



ALL DIMENSIONS IN MM		DRAWN BY OSAMA SHAKEEL 13-MS-FT-AMD-03	UNIVERSITY OF ENGG AND TECH TAXILA	
	TOLERANCES		PART NAME: MOTOR BOLTS	
LINEAR:	MATERIAL:ALUMINUM	DATE : 28-Oct-14		
ANGULAR:	FINISH:AS MACHINED	CHECKED BY	SCALE: 0.5	SHEET NO 14

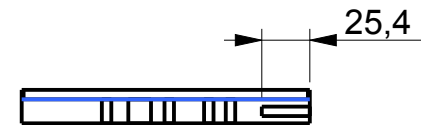
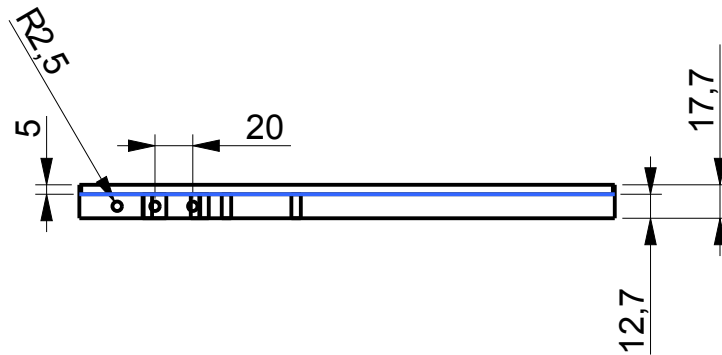
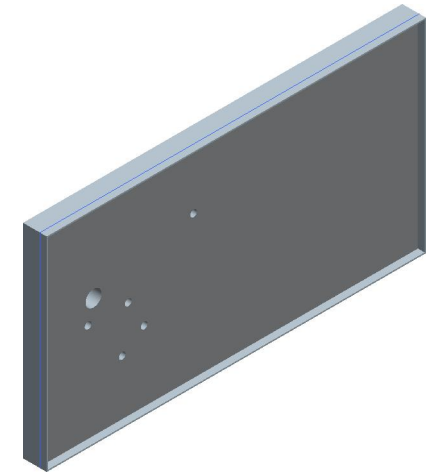
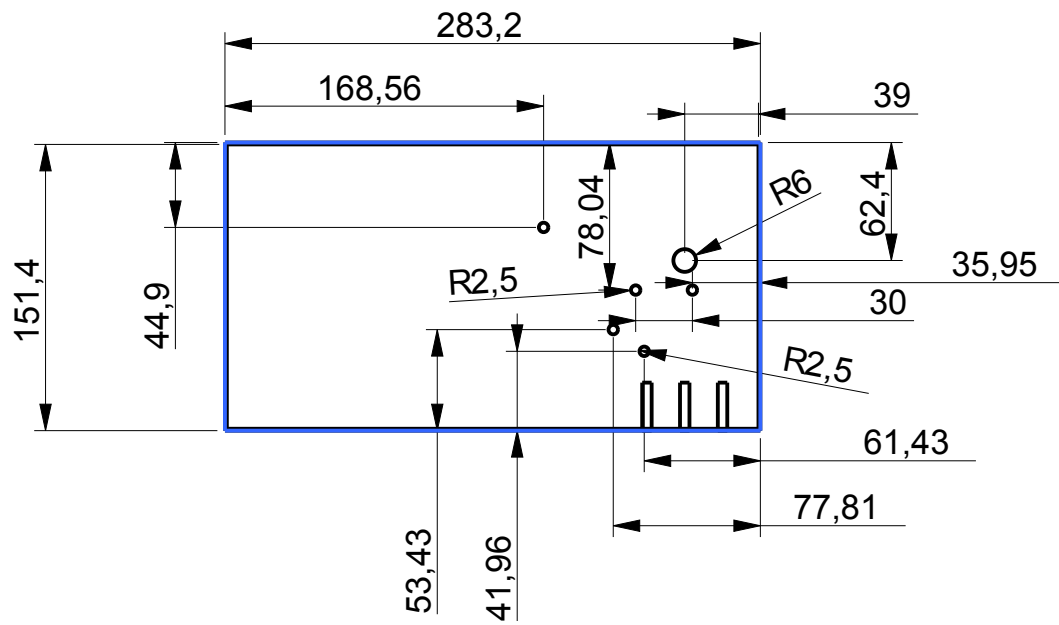


ALL DIMENSIONS IN MM		DRAWN BY OSAMA SHAKEEL 13-MS-FT-AMD-03	UNIVERSITY OF ENGG AND TECH TAXILA	
	TOLERANCES LINEAR:	MATERIAL:ALUMINUM	DATE : 28-Oct-14	PART NAME: ATOMIZER HOLDER
ANGULAR:	FINISH:AS MACHINED	CHECKED BY	SCALE: 2	SHEET NO 15

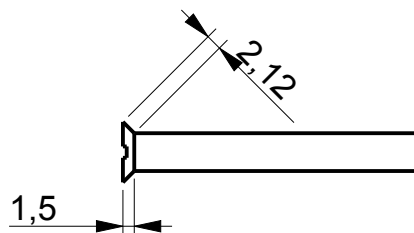
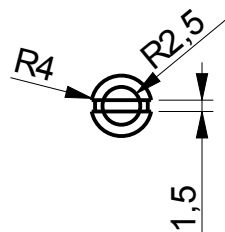
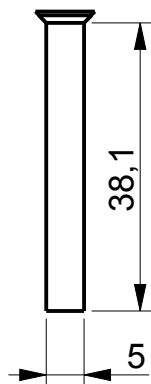


ALL DIMENSIONS IN MM		DRAWN BY OSAMA SHAKEEL 13-MS-FT-AMD-03	UNIVERSITY OF ENGG AND TECH TAXILA		
	TOLERANCES LINEAR: ANGULAR:	MATERIAL: BRASS	DATE : 28-Oct-14	PART NAME: LOWER DISC COLLAR	
	FINISH:AS MACHINED	CHECKED BY	SCALE: 2	SHEET NO	16

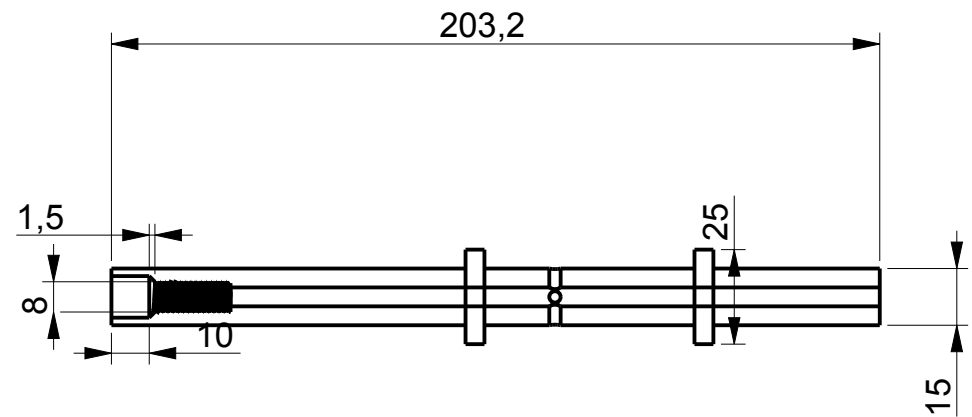
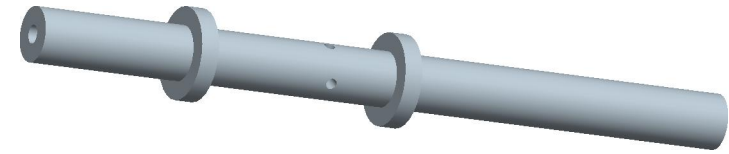
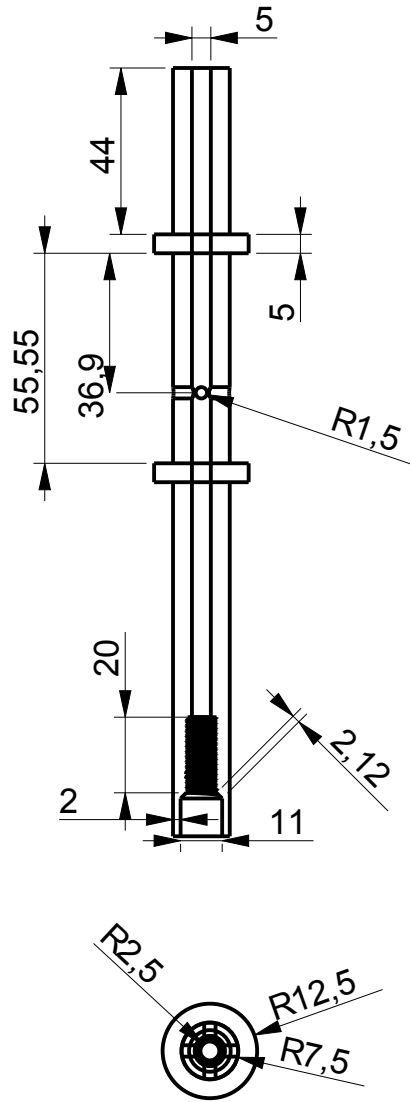




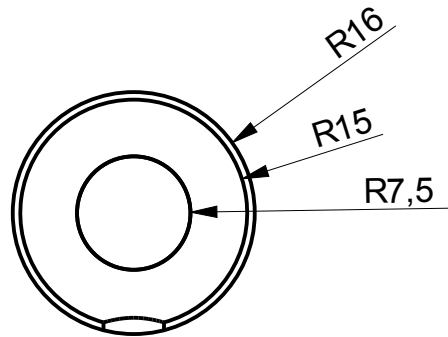
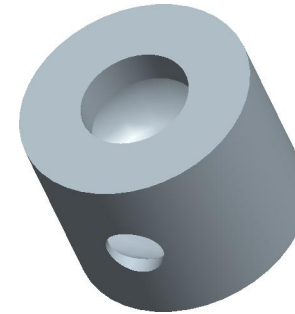
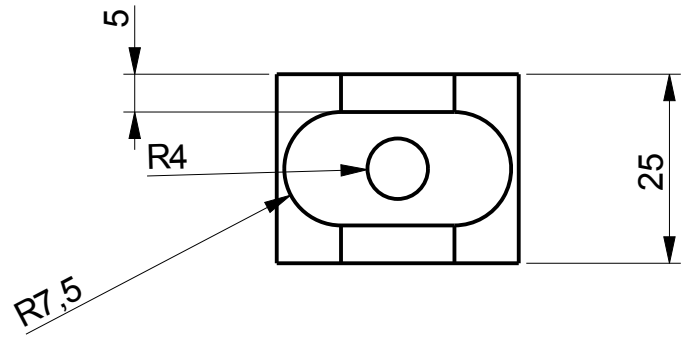
ALL DIMENSIONS IN MM		DRAWN BY OSAMA SHAKEEL 13-MS-FT-AMD-03	UNIVERSITY OF ENGG AND TECH TAXILA	
	TOLERANCES LINEAR: ANGULAR:	MATERIAL:ALUMINUM	DATE : 28-Oct-14	PART NAME: LOWER MAIN BED
	FINISH:AS MACHINED	CHECKED BY	SCALE:0.25	SHEET NO 17



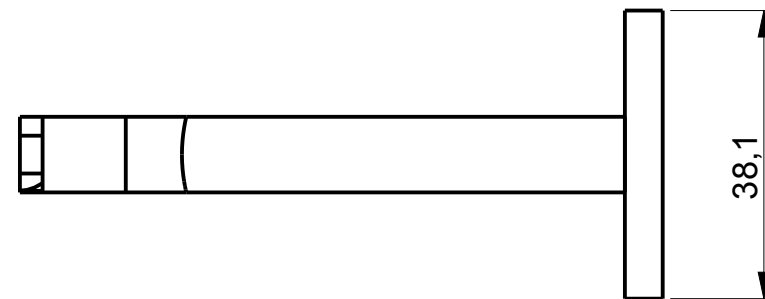
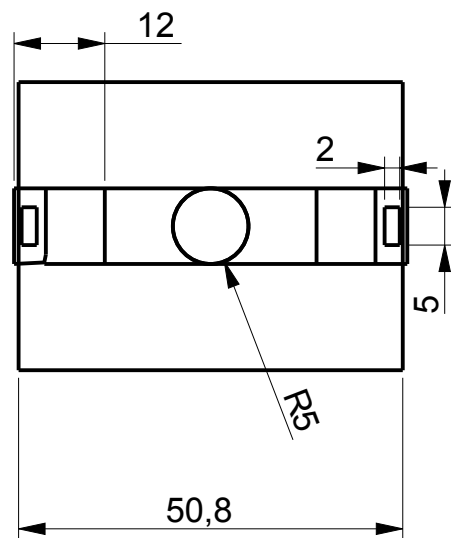
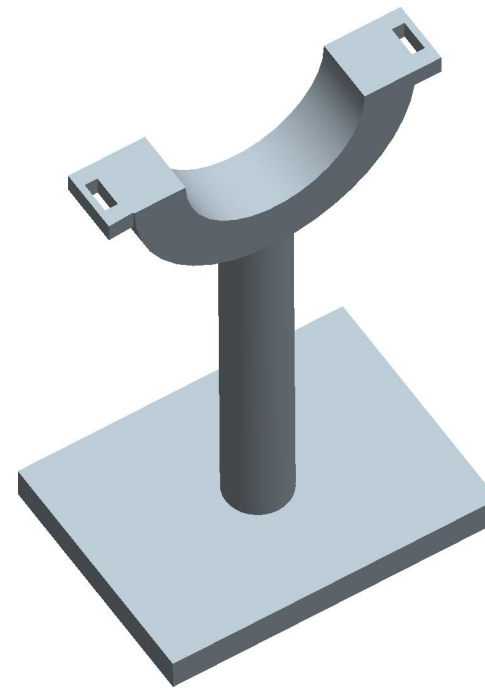
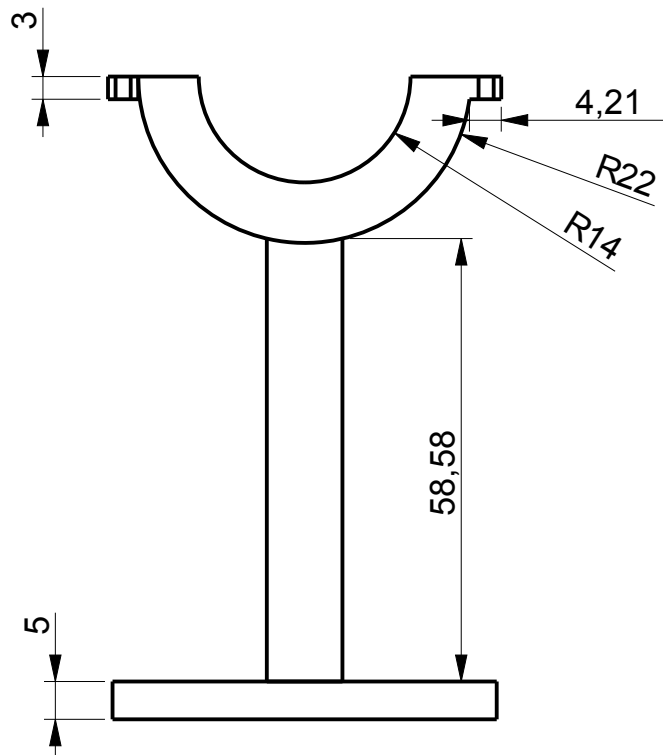
ALL DIMENSIONS IN MM		DRAWN BY OSAMA SHAKEEL 13-MS-FT-AMD-03	UNIVERSITY OF ENGG AND TECH TAXILA	
	TOLERANCES LINEAR: ANGULAR:	MATERIAL:ALUMINUM FINISH:AS MACHINED	DATE : 28-Oct-14 CHECKED BY	PART NAME: SCREW
			SCALE: 1	SHEET NO 18



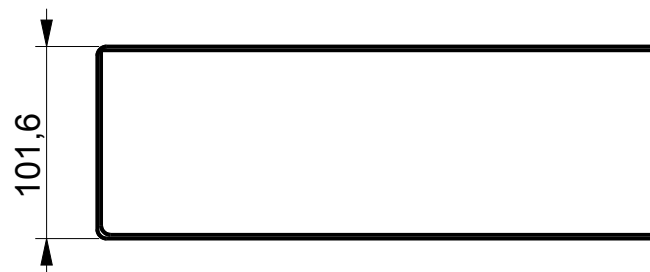
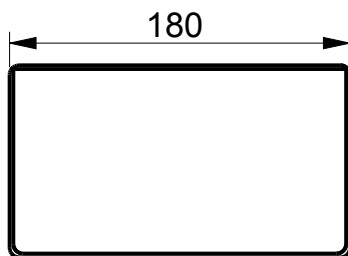
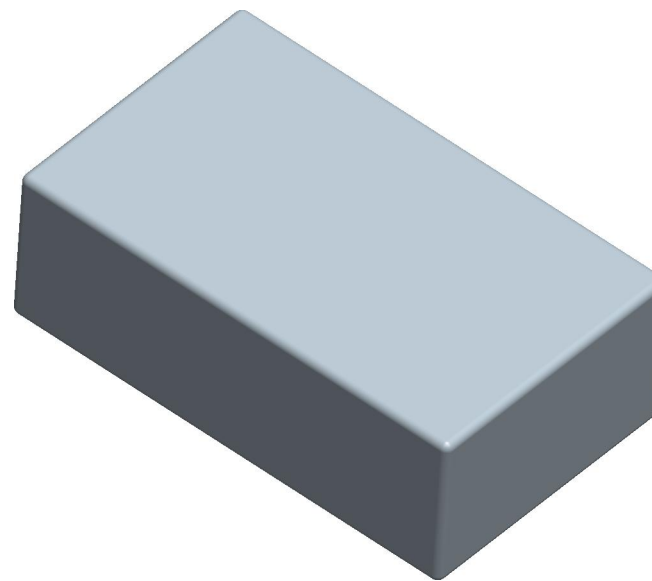
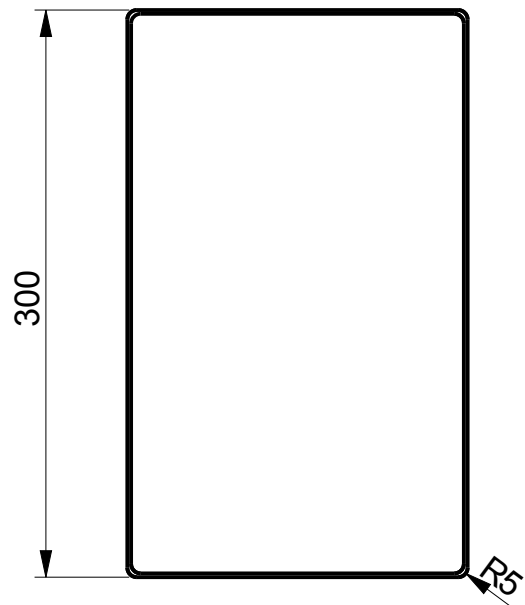
ALL DIMENSIONS IN MM		DRAWN BY OSAMA SHAKEEL 13-MS-FT-AMD-03	UNIVERSITY OF ENGG AND TECH TAXILA		
TOLERANCES LINEAR:		DATE : 28-Oct-14	PART NAME: SHAFT		
ANGULAR:	MATERIAL: STEEL	CHECKED BY	SCALE: 0.5	SHEET NO	19
	FINISH:AS MACHINED				



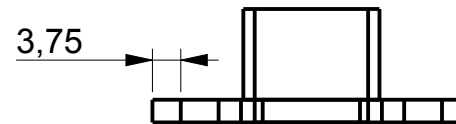
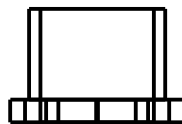
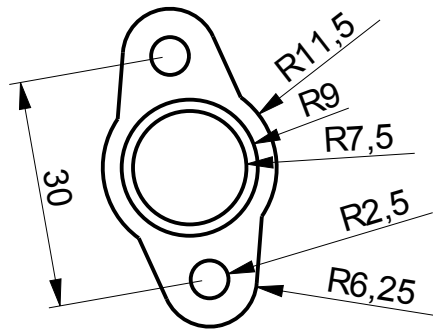
ALL DIMENSIONS IN MM		DRAWN BY OSAMA SHAKEEL 13-MS-FT-AMD-03	UNIVERSITY OF ENGG AND TECH TAXILA	
	TOLERANCES LINEAR:		PART NAME: BUSH	
ANGULAR:	MATERIAL: TEFLON	DATE : 28-Oct-14	SCALE: 1	SHEET NO
	FINISH:AS MACHINED	CHECKED BY		20



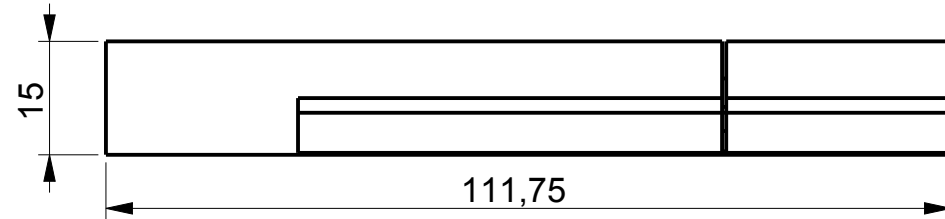
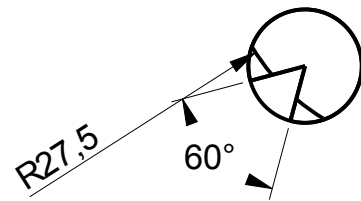
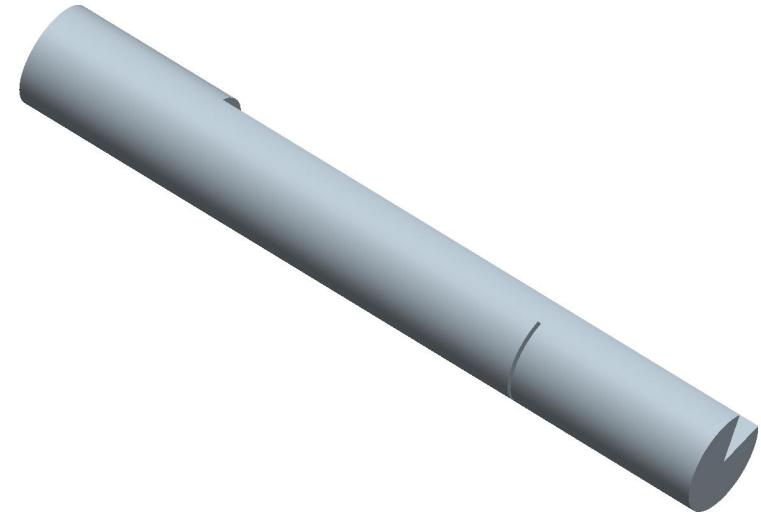
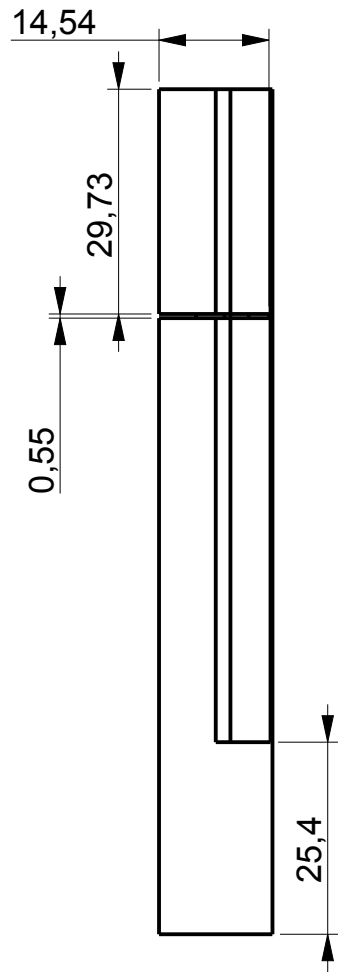
ALL DIMENSIONS IN MM		DRAWN BY OSAMA SHAKEEL 13-MS-FT-AMD-03	UNIVERSITY OF ENGG AND TECH TAXILA	
	TOLERANCES LINEAR: ANGULAR:	MATERIAL: ALUMINUM FINISH:AS MACHINED	DATE : 28-Oct-14 CHECKED BY	PART NAME: TORCH CLAMP
			SCALE: 1	SHEET NO 21



ALL DIMENSIONS IN MM		DRAWN BY OSAMA SHAKEEL 13-MS-FT-AMD-03	UNIVERSITY OF ENGG AND TECH TAXILA	
		DATE : 28-Oct-14	PART NAME: WATER TANK	
TOLERANCES		CHECKED BY	SCALE:0.25	SHEET NO
LINEAR:	MATERIAL: STEEL			22
ANGULAR:	FINISH: PAINTED			

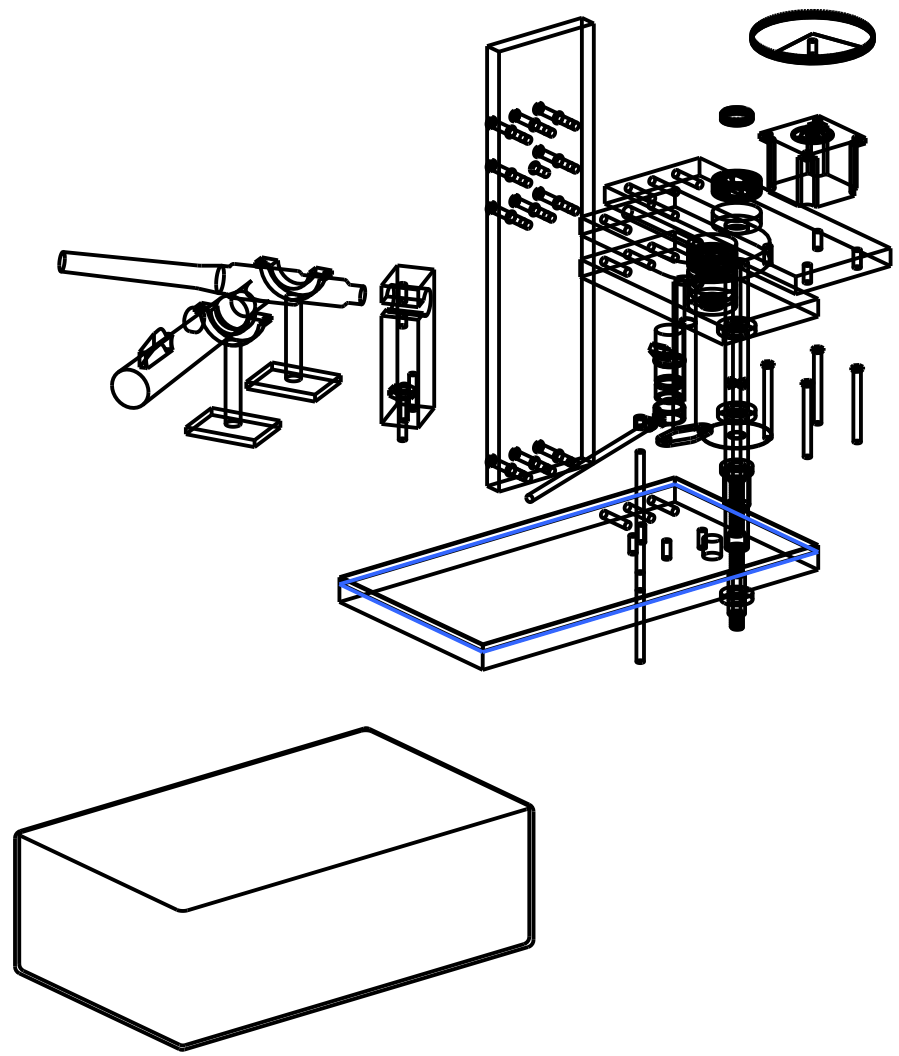


ALL DIMENSIONS IN MM		DRAWN BY OSAMA SHAKEEL 13-MS-FT-AMD-03	UNIVERSITY OF ENGG AND TECH TAXILA	
	TOLERANCES LINEAR: ANGULAR:	MATERIAL: ALUMINUM	DATE : 28-Oct-14	PART NAME: TORCH SHEILD MOUNT
	FINISH:AS MACHINED	CHECKED BY	SCALE: 1	SHEET NO 23



ALL DIMENSIONS IN MM		DRAWN BY OSAMA SHAKEEL 13-MS-FT-AMD-03	UNIVERSITY OF ENGG AND TECH TAXILA		
		DATE : 28-Oct-14	PART NAME: TORCH SHEILD		
TOLERANCES LINEAR:	MATERIAL: CARBIDE	CHECKED BY	SCALE: 1	SHEET NO	24
ANGULAR:	FINISH: AS MACHINED				





ALL DIMENSIONS IN MM		DRAWN BY OSAMA SHAKEEL 13-MS-FT-AMD-03	UNIVERSITY OF ENGG AND TECH TAXILA		
	TOLERANCES LINEAR: ANGULAR:	MATERIAL:	DATE : 28-Oct-14	PART NAME: ASSEMBLY DRAWING	
	FINISH:AS MACHINED	CHECKED BY	SCALE: 0.2	SHEET NO	25